



SANY

Rotary Drilling Rig

SR220C



Features:

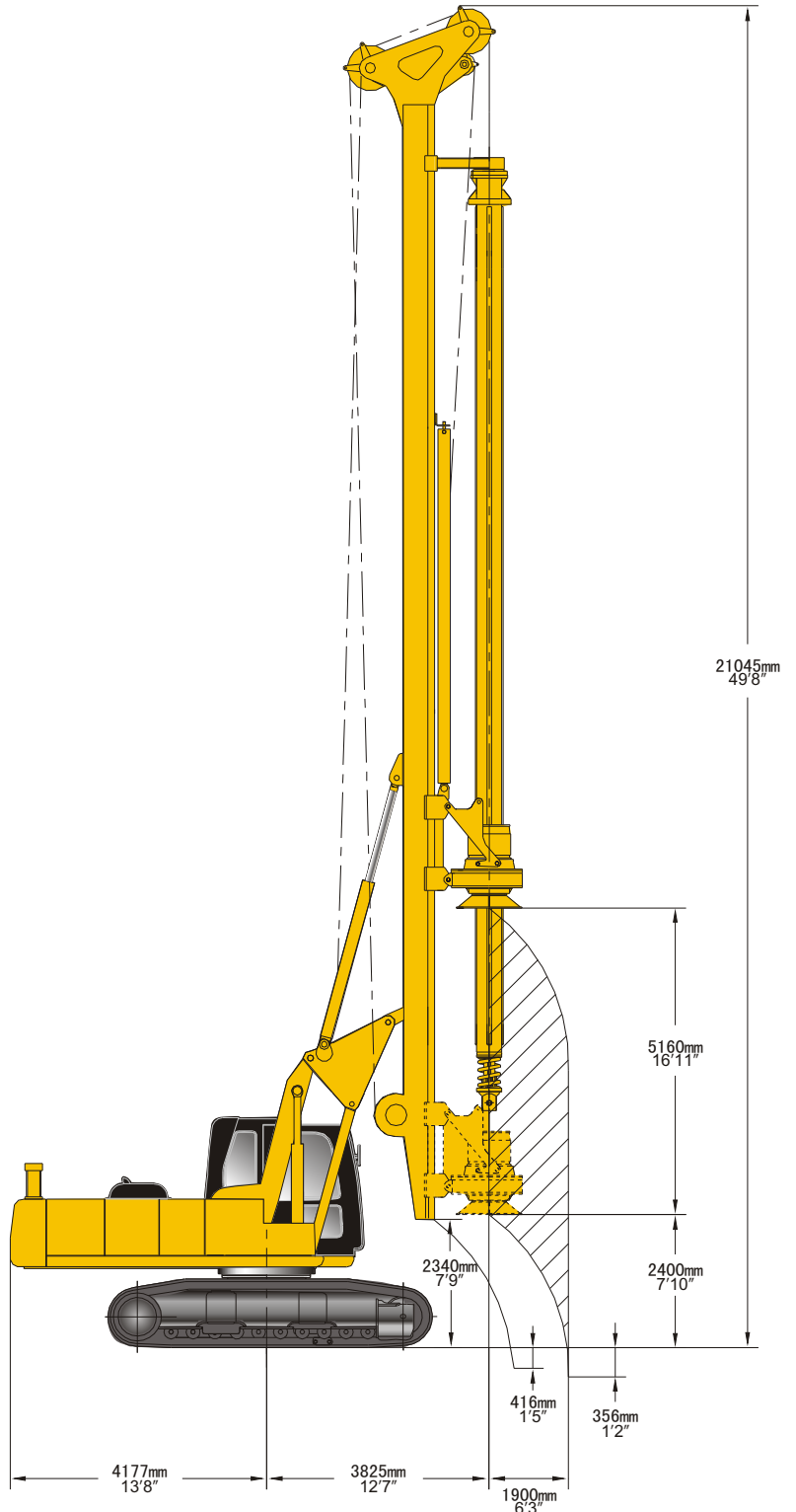
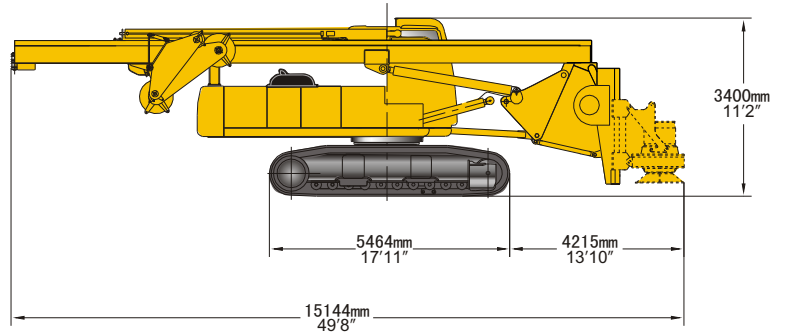
- Machine with Max. Drilling depth of 67 M and Max. hole caliber of 2500mm are adequate for large and medium -sized stake project construction
- Super output torque of 250kN · m ensures construction accomplishment under different geological conditions
- CATC9 electric injection turbo-charged air intercooling diesel motor(Caterpillar U.S) gains such advantages as low-noise, less vibration, high-efficiency, environment-friendly and energy-saving, which meet the discharge standard of EPAC II
- Diesel engine bears auto accelerate/speed droop functions reducing the fuel consumption down by 5—10%
- Hydraulic system adopts CAT master control loop & pilot control loop to achieve the optimal match under the various working condition load
- Imported key parts such as Hydraulic Pump, Hydraulic Motor, Hydraulic valve, and Piping Joints are introduced in well-known brand to assure high reliability of system
- Advanced Rexroth Electronic Leveling System with mutual switch from manual to auto is introduced to keep vertical status of mast under the operation circumstances as well as efficiently ensure perpendicularity requirement of hole



QUALITY CHANGES THE WORLD

Technical Parameters of SR220C Rotary Drilling Rig

Max. output torque	250 kN.m(178672 lb.ft)
Drilling speed of rotation	7 ~ 26/128 rpm
Max. oil cylinder push	180 kN(40466 lb)
Max. oil cylinder pull	240 kN(53954 lb)
Stroke of crowd system	5160 mm(16'11")
Mast inclination(sideward)	±6°
Mast inclination (forward)	5°
Engine manufacturer	Caterpillar
Main winch pull(1st layer)	240 kN(53954 lb)
Main winch rope diameter	28 mm(1.1")
Main winch hoisting speed	70 m/min(230 ft/min)
Auxiliary winch pull(1st layer)	110 kN(24729 lb)
Auxiliary winch rope diameter	20 mm(0.8")
Auxiliary winch hoisting speed	70 m/min(230 ft/min)
Max. drilling depth	67 m(220 ft)
Max. drilling diameter	2300/2500mm(7'7"/8'2")
Working width	4300 mm(14'1")
Transport width	3000 mm(9'10")
Transport height	3400 mm(11'2")
Working height	21045 mm(69')
Track shoe width	800 mm(2'7")
Traction force	510 kN(114653 lb)
Standard drilling bar	ZG22M513II (Φ440)
Operation available	ZG22M514 (Φ440) ZG22M513 (Φ440) ZG22J413 (Φ440)
Max. overall weight	65 t(64 gross ton)



Sany Industry Town, Economic and Technological Development Zone, Changsha, Hunan, China

Zip code: 410100

Tel:0086 731 4031642 Fax:0086 731 4031527

Sales Email:syin@sany.com.cn

24 hours service number: 0086 4008 87 8318

0086 4008 87 9318

Http:// www.sany.com.cn