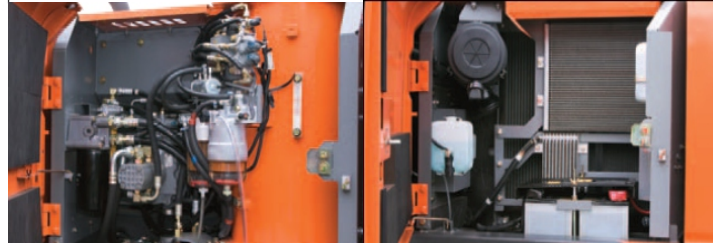
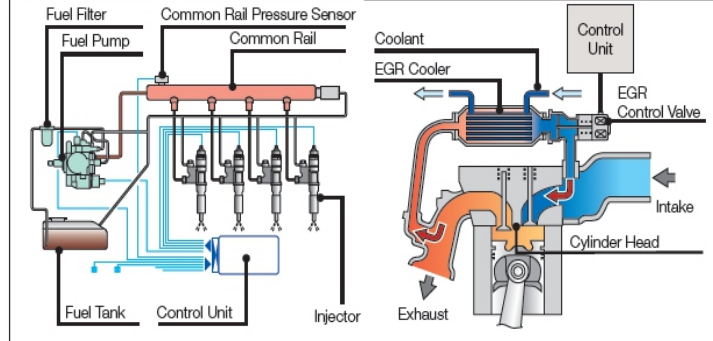


CF 6 Plus



High Performances with Less Fuel Consumption

The new performant hydraulic plants give more power to increase the productivity. The LOAD SENSING VALVE permits to feed the movements which are activated, adapting instantly to the oil flow, allowing a consumption reduction. The oil and filters change intervals have been extended, reducing maintenance time and expenses. The engine control unit drives the fuel pump at an ultrahigh pressure to inject the fuel into the cylinders through a common rail device. The cooler EGR system mixes exhaust gases with intake air for a re-combustion, lowering combustion temperature and reducing fuel consumption. The new engines comply with the US norms TIER 4 and the EU Euro 4.



Worldwide Service

Our technical support service provides quick access to factory expertise, while our commercial team is always on hand to provide fast and competitive quotes. Our service network covers over 25 countries all over the world.



Easy Maintenance

Routine maintenance is essential for keeping unscheduled downtime to an absolute minimum and ensuring the overall reliability of your machine, but it can be difficult finding the time to carry out regular checks on busy construction sites. The new bases has been designed with time-saving, conveniently accessible features that will make it easy for you to perform routine service and cleaning procedures, so you can get the machine back to work as quickly as possible.



Comfortably in control

The new cabs provided with air conditioning, radio-CD player, multifunction LCD monitor and an absorbing and eating seat, guarantee a comfortable position and ensures an excellent view of the working area. Through the multifunction monitor (optional) the operator can check all the machine parameters and can start the rear view by a camera. The cabs are also protected by new system Center Pillar Reinforced Structure. Our machines are provided with an electronic device which measures the drilling depth and can be equipped also with the mast automatic alignment device which improves the verticality of the pile.



Want more?
...get a **Plus!**



Base		Base			
Tipo	Type	TES CAR			
Motore Diesel Tier3	Diesel engine Tier3	Caterpillar C4.4 ACERT			
Potenza 2200 rpm	Rated power at 2200 rpm	106,0	kW	142,0	HP
Motore Diesel Tier4	Diesel engine Tier4	Cummins QSB4.5 TAA T4f			
Potenza 2200 rpm	Rated power at 2200 rpm	104,0	kW	140,0	HP
Capacità serbatoio carburante	Fuel tank capacity	200,0	l	52,8	gal
Capacità serbatoio olio	Hydraulic oil tank capacity	240,0	l	63,4	gal
Sottocarro		Undercarriage			
Larghezza cingoli chiusi	Width - tracks retracted	2400	mm	7,9	ft
Larghezza cingoli aperti	Width - tracks extended	3400	mm	11,2	ft
Lunghezza cingoli	Track length	3800	mm	12,5	ft
Larghezza pattini	Shoe width	500	mm	19,7	in
Velocità di traslazione max.	Max. travel speed	1,26	Km/h	0,8	mph
Velocità di rotazione torretta	Swing speed	3,5	rpm	3,5	rpm
Pompe idrauliche		Hydraulic pumps			
Pompa principale	Main pump flow	290	l/min	76,6	gpm
Pompa secondaria	Auxiliary pump flow	70	l/min	18,5	gpm
Massima pressione di lavoro	Max working pressure	30	MPa	4.351	psi
Argani idraulici		Hydraulic winches			
Argano principale	Main winch line pull	7000	daN	15.737	lbs
Argano di servizio	Service winch line pull	2500	daN	5.620	lbs
Testa di rotazione idraulica		Hydraulic rotary head			
Coppia	Torque	6500	daNm	47.942	ft lbs
Velocità di perforazione	Rotation speed	15-30-60 rpm			
Velocità di scarico	Spin-off speed	60	rpm	60,0	rpm
Corsa (con pistone pulldown)	Stroke (feed by cylinder)	1500	mm	4,9	ft
Forza di spinta	Pulldown force	15000	daN	33.721	lbs
Corsa (con motoriduttore a catena)	Stroke (feed by chain)	7500	mm	24,6	ft
Forza di tiro/spinta	Pull-up/down force	10000	daN	22.481	lbs
Dimensioni di perforazione		Drilling dimensions			
Diametro massimo *	Max. diameter *	1200	mm	47,2	in
Diametro minimo	Min. diameter	400	mm	15,7	in
Profondità massima	Max. Depth	30	m	98,4	ft
Dimensioni per il trasporto		Transport dimensions			
Altezza	Height	3100	mm	10,2	ft
Lunghezza	Length	9950	mm	32,6	ft
Larghezza	Width	2400	mm	7,9	ft
Peso (con asta da 30 m)	Weight (with 30 m kelly bar)	19500	kg	42.990	lbs
Sistemi di sicurezza		Safety system			
Cicalino (in movimento)	Travel buzzer				
Estintore	Fire extinguisher				
Livella sulla torre	Spirit level on the mast				
Livella in cabina	Spirit level in the cab				
Arresto fine corsa	Stroke limit switch				
Arresto motore esterno cabina	Cab safety lever				

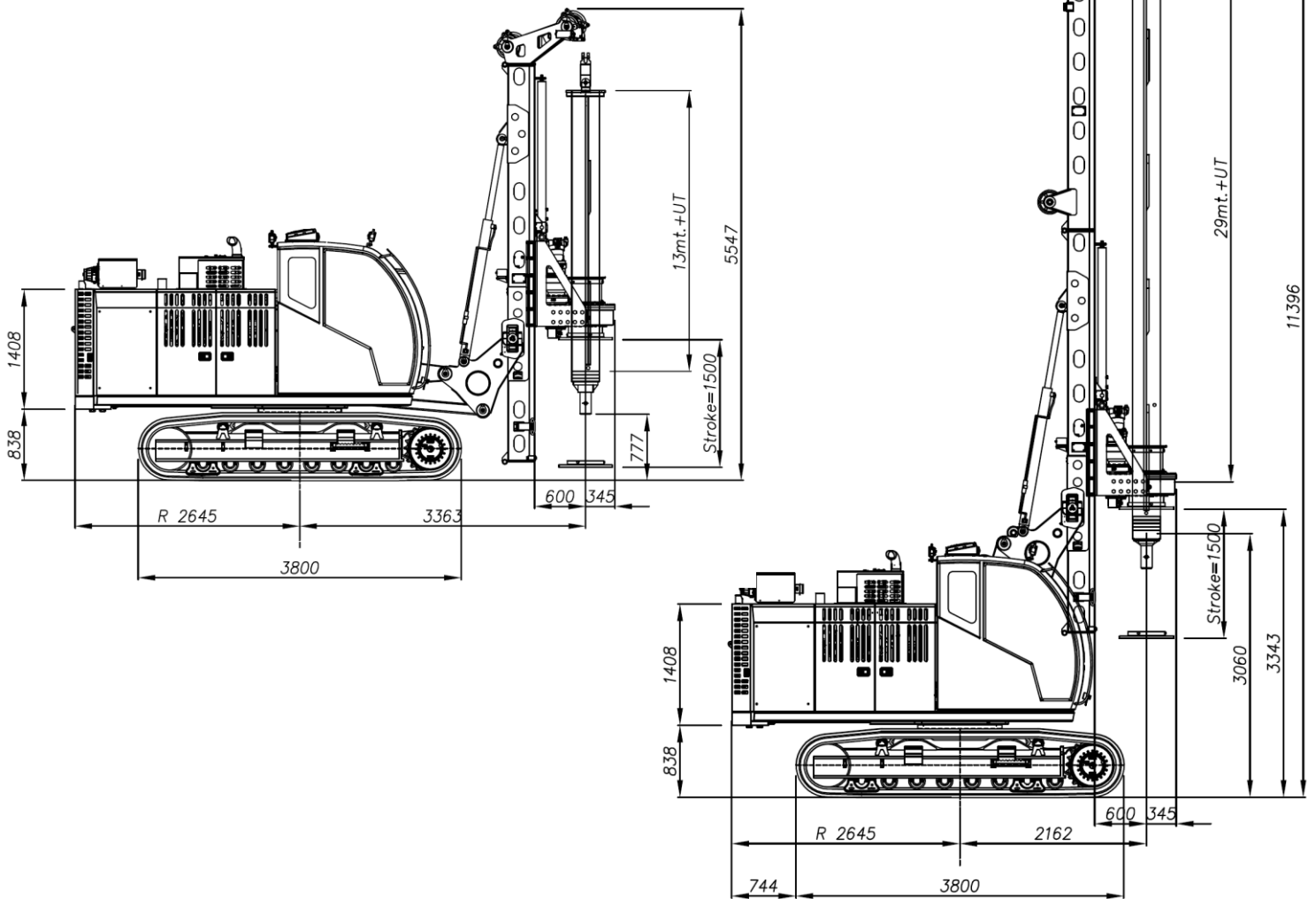
Con tiro/spinta a catena: Ø1100mm

With pulldown by chain: Ø1100mm

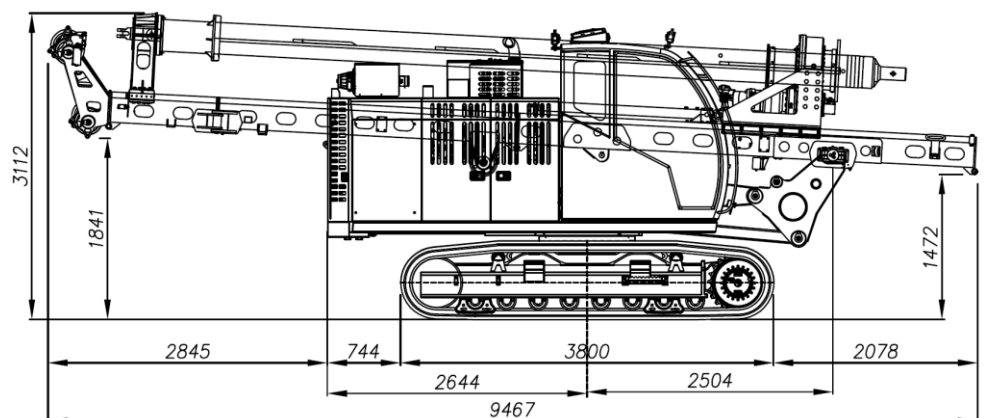
Aste a bloccaggio

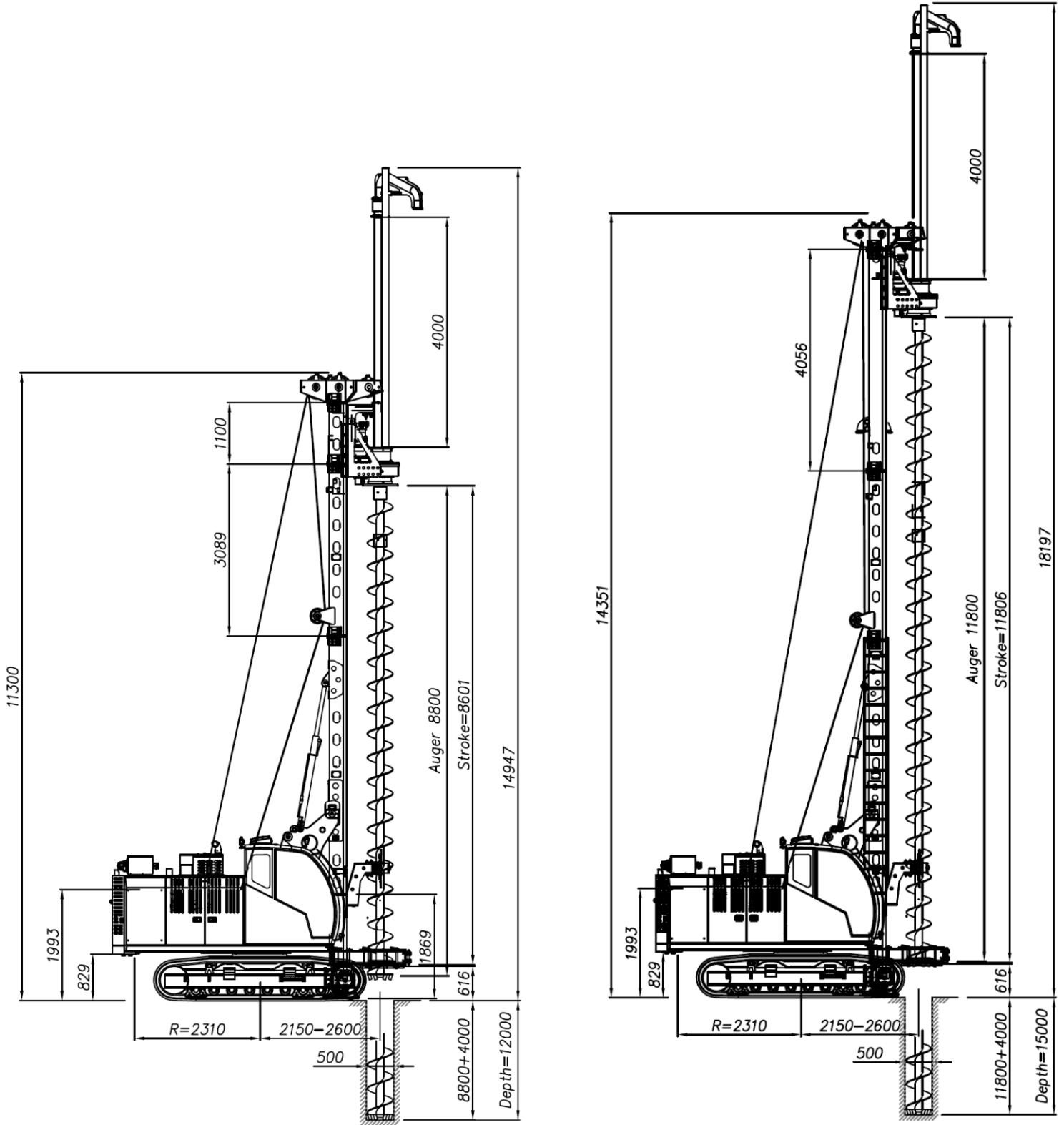
Mechanical locking kelly bar

Elementi	Ø _e 1° tubo		Lunghezza (A)		Profondità		Altezza (H)	
Elements	Ø _e 1st tube		Length (A)		Depth		Height (H)	
	(mm)	(ft)	(mm)	(ft)	(m)	(ft)	(mm)	(ft)
5	323	1,06	7300	24,2	30	98,46	2576	8,4
5	323	1,06	6880	22,6	28	91,9	3026	9,9
5	323	1,06	6000	19,7	24	78,7	3906	12,8
5	323	1,06	4623	15,1	18	59	4761	15,6
5	323	1,06	3852	12,6	15	49,2	5436	17,8

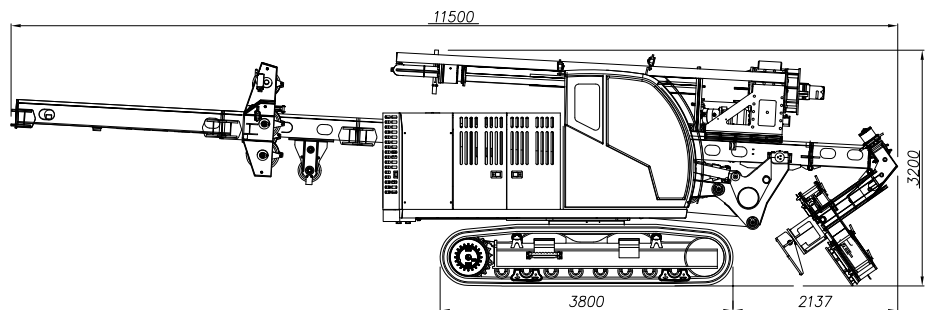


Configurazione trasporto / Transport configuration





Configurazione trasporto / *Transport configuration*





TESAR

CF6 PLUS

Гестехника

cfa





Partner of your challenges since 1976

TES CAR[®] is a brand licensed to TONTI TRADING SRL

TONTI TRADING SRL:



info@tontitrading.com



+39 071 9300027

P.Iva / VAT: IT 02636680429

Registered Office: Via Marco Polo, 80 60027 Osimo (AN) Italy
Operating Office: Via Flaminia II, 16 60027 Osimo (AN) Italy